



FLOOR EQUIPMENT PARTS.COM



2300/2320/2340

U.S. PATENT NO.: D.343,932 & D.345,035

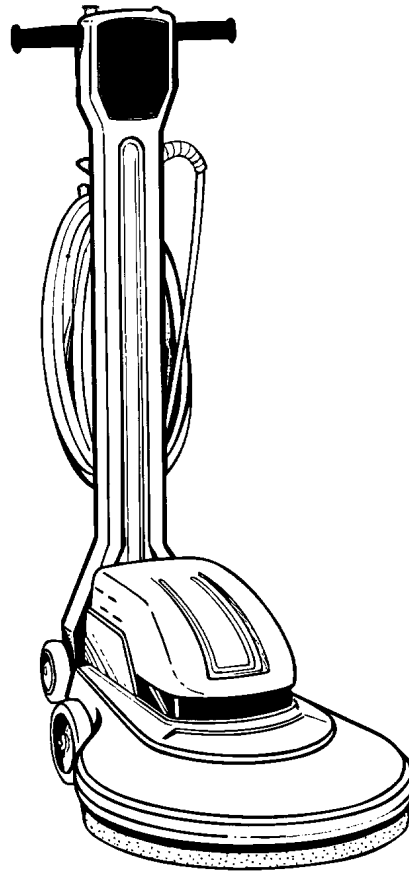
Models:

608326 — 2300

608325 — 2320

607879 — 2340

Operator Manual and Parts List Manual de Operación y de Piezas

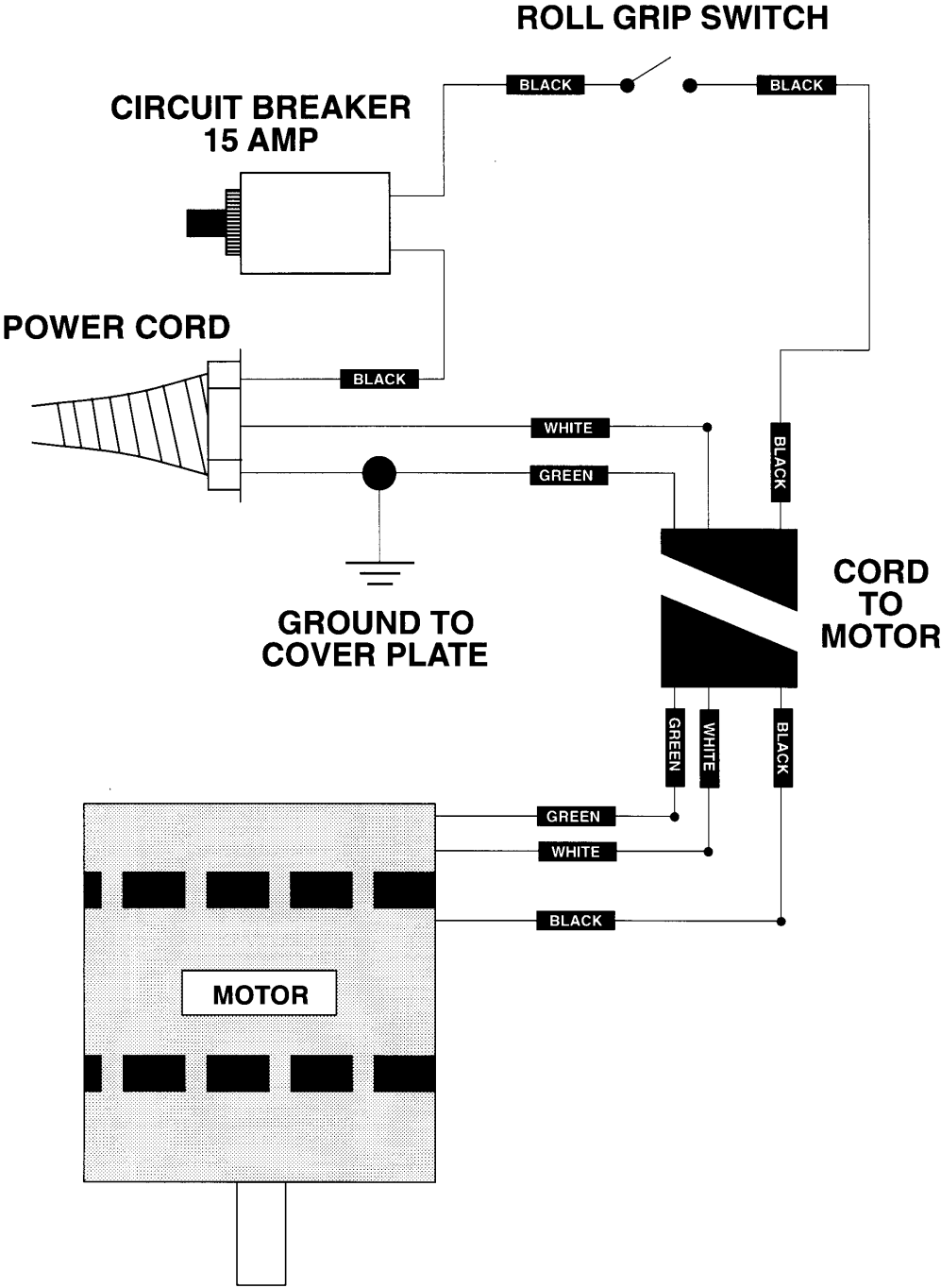


TENNANT COMPANY
Commercial Products
12875 RANSOM STREET
HOLLAND MI 49424

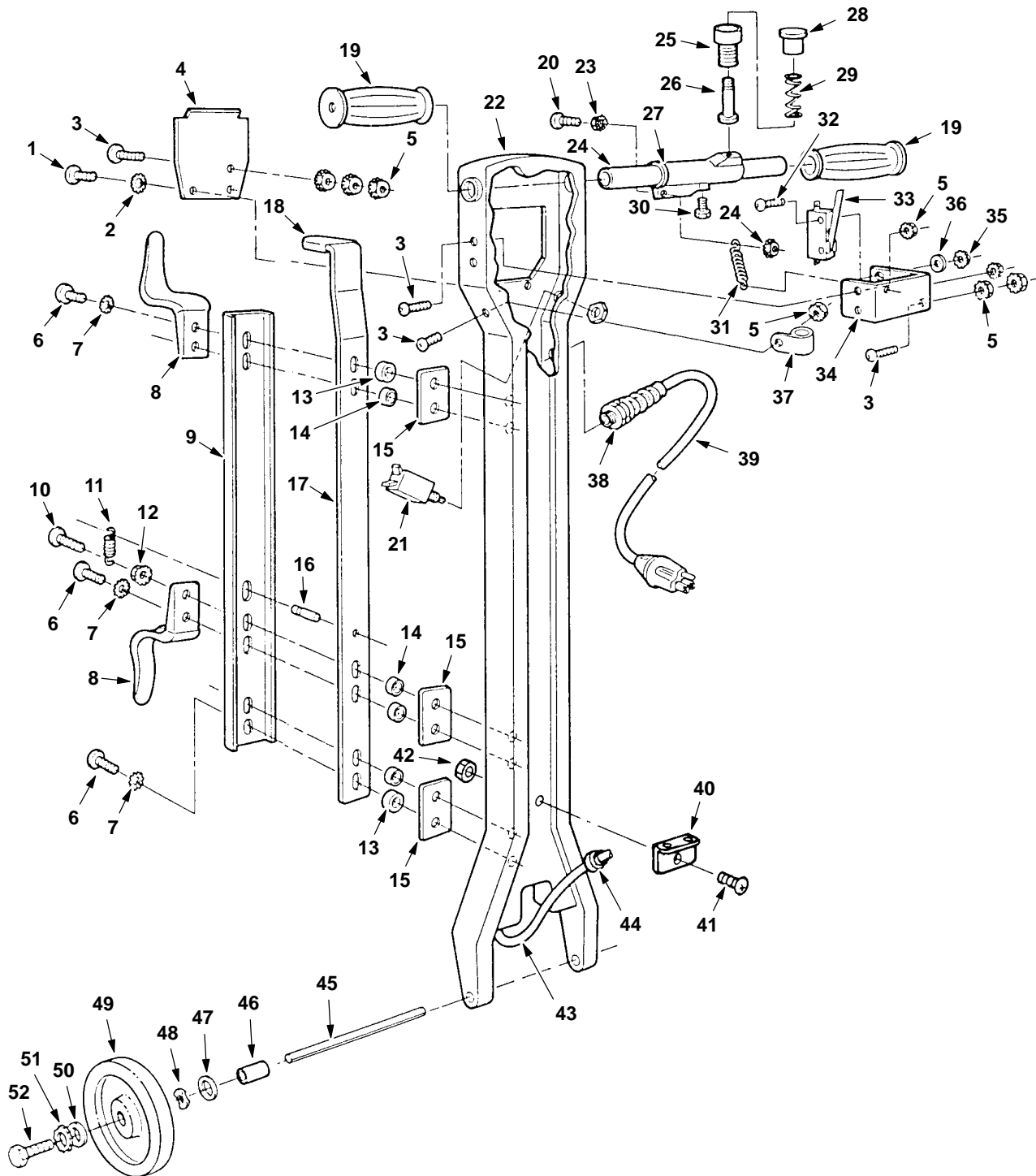
FAX: 1-800-678-4240
CUSTOMER SERVICE: 1-800-982-7658

607759
Rev. 00 (11-99)

120V



UPPER UNIT
PIEZAS DE SUPERIOR



**UPPER UNIT
PIEZAS DE SUPERIOR**

REF	PART #	DESCRIPTION	QTY.
1.	140831	SCREW, 10-24x3/8	2
2.	140018	WASHER, 10-24x1/2	2
3.	140900	SCREW, 10-24x5/8	5
4.	230013.NLG	COVER, HANDLE	1
5.	140519	NUT, 10-24	8
6.	140864	SCREW, 1/4-20x3/4	5
7.	140052	WASHER, 1/4 STAR	5
8.	602750	HOOK, CORD	2
9.	230859	CHANNEL, LATCH HANDLE	1
10.	140881	SCREW, 1/4-20x1	1
11.	140402	SPRING, LATCH HANDLE	1
12.	140524	NUT, 1/4-20	1
13.	140146	BUSHING 1/4-20	2
14.	140147	BUSHING 1/4x7/16	4
15.	230852	PLATE, BACKING	3
16.	140604	PIN	1
17.	230860	HANDLE, LATCH	1
18.	200821	GRIP, LATCH	1
19.	200823	GRIP, HANDLE TUBE	2
20.	6010.16	SCREW, 8-32x1 PAN	1
21.	20796	BREAKER, 17A (2300/2320)	1
	130752	BREAKER, 20A (2340)	1
22.	607637	HANDLE, WHITE	1
23.	28990	NUT, LOCK 8-32	2
24.	230853	TUBE, HANDLE	1
25.	230857	SOCKET, LOCK	1
26.	230856	PIN, LOCK RELEASE	1
27.	100355	SLEEVE, LOCKING	1
28.	230855	BUTTON, LOCK RELEASE	1

REF	PART #	DESCRIPTION	QTY.
29.	140401	SPRING, LOCK BUTTON	1
30.	140554	SCREW, 1/4-20x3/4	1
31.	600987	SPRING	1
32.	140829	SCREW, 6-32x1 (115V)	2
33.	28657	SWITCH (115V-230V)	1-2
34.	230854	BRACKET, SWITCH	1
35.	140539	NUT, 6-32	2
36.	140032	WASHER, #6 FLAT	1
37.	140324	CLAMP	1
38.	130167	GRIP, CORD	1
39.	602748	CORD, 14/3x75' (115V)	1
40.	230773	BRACKET, SPRING	1
41.	140864	SCREW, 1/4-20x3/4	1
42.	140524	NUT, 1/4	1
43.	130204	CORD, 14/3 57"	1
44.	130141	BUSHING	1
45.	230930	SHAFT, HANDLE	1
46.	140148	BUSHING	2
47.	3148.816	WASHER, FLAT 7/8x1/2	4
48.	4252	WASHER, 1/2	4
49.	103066	WHEEL	2
50.	140003	WASHER, 1/4x1	4
51.	140016	WASHER, LOCK 1/4	2
52.	140553	SCREW, 1/4-20x1/2	2
N/S	608115	DECAL, 2300	1
N/S	608116	DECAL, 2320	1
N/S	608117	DECAL, 2340	1

**LOWER UNIT
PIEZAS DE INFERIOR**

REF	PART #	DESCRIPTION	QTY.
1.	607762	COVER, MOTOR, TEAL	1
2.	N/A	DECAL, COVER	1
3.	130498	MOTOR, 120V (Imperial Motor)*	1
	190743	-RECTIFIER, 120V (Imperial Motor)*	1
	22117	-CARBON BRUSHES 120V (Imperial Motor)*	4
	600825	MOTOR, 120V (Ohio Motor)*	1
	190753	-RECTIFIER, 120V (Ohio Motor)*	1
	190752	-CARBON BRUSHES 120V (Ohio Motor)*	2
4.	230918	PLATE, LATCH	1
5.	230772	PIN, PLATE	1
6.	140421	RING, PIN	2
7.	140437	SPRING	2
8.	140221	SCREW,5/16-18x1-1/4	1
9.	140546	NUT, 5/16-18	1
10.	230447	SPACER, PULLEY	1
11.	140628	KEY, PULLEY	1
12.	240075	PULLEY, (2300)	1
	240076	PULLEY, (2320)	1
	240077	PULLEY, (2340)	1
13.	25732	WASHER,1-1/4x.359	1
14.	140015	WASHER, LOCK 5/16	1
15.	140223	SCREW, 5/16-18x3/4	1
16.	140859	SCREW, SET (2300/2320)	1
17.	607760	BASE, HIGH SPEED, TEAL	1
18.	140013	WASHER, 3/8	9
19.	140017	WASHER, LOCK 3/8	9
20.	140232	SCREW,3/8-16x1-1/4	5

* To identify type of motor, refer to serial no. tag on machine. The third to the last digit of serial no. will either be an "O" for Ohio or an "I" for Imperial.

130498

NOTE: 120V "Ohio" Motor (#600825) is recommended for the 2300 and 2320 models only. Use motor #~~130489~~ for 2340 models. Kit #600826 is required when ordering #600825 motor.

REF	PART #	DESCRIPTION	QTY.
21.	140545	NUT, JAM 3/8-16	1
22.	140201	SCREW, 3/8-16x3/4	5
23.	230425	PULLEY, DRIVE	1
∇24.	240240	ASM., PAD DRIVER	1
▲25.	621326000	RING, PAD ONLY	1
▲25A.	572084000	WASHER, PAD LOCK	1
▲26.	621327000	LOCK, PAD ONLY	1
27.	140949	SCREW,5/16-18x1-1/4	4
28.	240078	BELT, (2300)	1
	240079	BELT, (2320)	1
	240080	BELT, (2340)	1
29.	230448	BRACKET, BASE	1
30.	140123	BEARING	2
31.	230446	SPACER	1
32.	100090	BUMPER, 4.5"	1
33.	140003	WASHER,1/4	2
34.	140824	SCREW,1/4-20x5/8	2
35.	230445	AXLE	1
36.	4252	WASHER, 1/2	4
37.	3148.816	WASHER, FLAT 7/8X1/2	2
38.	103067	WHEEL	2
39.	140003	WASHER, 1/2x1	4
40.	140016	WASHER, LOCK 1/4	4
41.	140553	SCREW, 1/4-20x1/2	1
42.	600591	SCREW, 1/4-20X1-7/8	4
43.	140016	WASHER, LOCK 1/4	4
44.	140000	WASHER, FLAT 1/4	4
45.	N/A	DECAL	1
46.	120582	DECAL, RECESS 1"x2" BLACK	1
N/S	120619	DECAL, WARNING EXTRACTORS	1

∇ Assembly

▲ Included in Assembly